



Инструкция по использованию  
гитарного переключателя фазы  
**EMG Pi2**

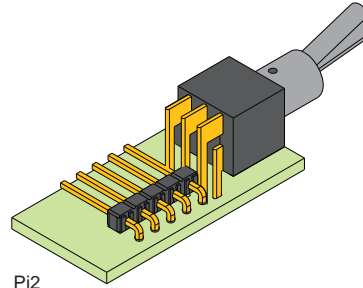
*(на английском языке)*



0230-01.46B

PO BOX 4394  
SANTA ROSA, CA  
95402 USA

P (707) 525-9941  
F (707) 575-7046  
EMGPICKUPS.COM



Pi2

## INSTALLATION INFORMATION EMG MODELS: Pi2 PHASE INVERTER (ACTIVE/PASSIVE PICKUP INPUTS)

### SPECIFICATIONS

Input Impedance (Ohms)	250K
Input Referred Noise	-130dbV
Internal Gain	2.5db
Output Impedance (Ohms)	2K
Current (@ 9V (Microamps)	980
Battery Life (Hours)	250
Maximum Supply (Volts DC)	18

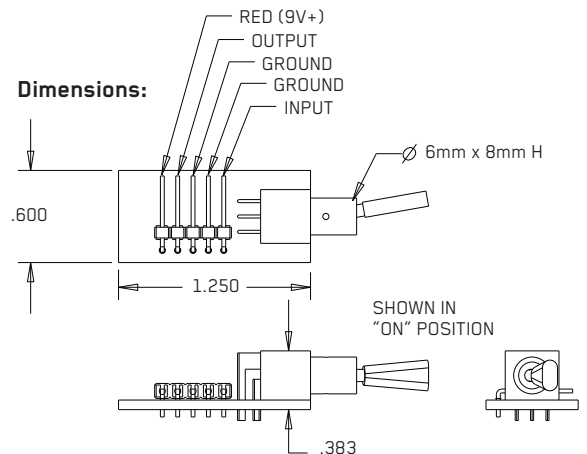
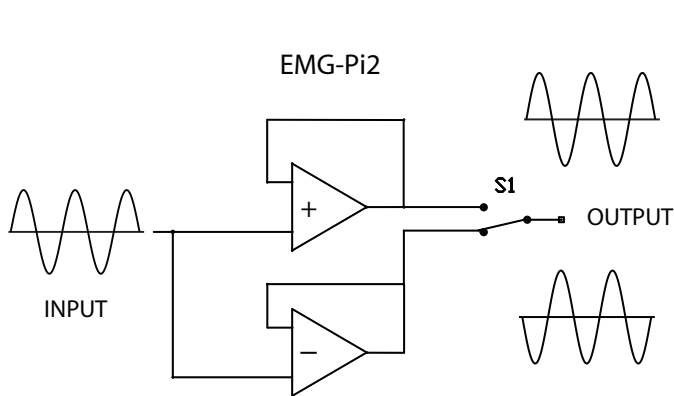
### INCLUDED:

- 1 Pi2 Control
- 1 Battery Clip with Buss Connector
- 1 Stereo Output Jack (Battery Switching)
- 2 Interconnect cables

### GENERAL OPERATION:

The Pi2 is a phase reversal switch that electronically reverses the phase of the pickup. You must have two pickups on the instrument in order for the Pi2 to work. Reversing the phase of one of the pickups results in a tone that is typically very thin sounding and dependent upon the type of pickups, the distance between them, and their frequency response. The Pi2 is installed on either pickup of a two pickup instrument.

On a three pickup guitar it is best installed on the middle pickup allowing phasing with both of the other pickups. The Pi2 does not provide the "phased" sound of Stratocaster\* style guitars. That sound is derived from the simple mixing of two pickups in different places on the instrument. The sound of the Pi2 is very unique. Because the Pi2 is used when mixing two pickups it has 2.5db of gain.



### WARRANTY

All EMG Pickups and accessories are warranted for a period of two years. This warranty does not cover failure due to improper installation, abuse or damage. If upon examination the pickup is determined to be defective, a replacement will be made. Warranty replacement products are covered by this same warranty. This warranty covers only those pickups and accessories sold by authorized EMG Dealers. This warranty is not transferable.

## Installation Instructions:

### EMG Model: Pi2 Phase Inverter

The Pi2 is installed on guitars with two or three pickups. It is shown installed directly at the output of either one of the pickups. The first few diagrams show installations for two pickup guitars. The Pi2 is always wired in series with the signal chain and can be installed on either pickup. On a two pickup guitar the resultant sound will be the same. Since there are so many ways to wire a guitar there are only a few diagrams shown.

If the diagram you need isn't shown, use any of the existing EMG Wiring diagrams and simply place the Pi2 in series with either pickup similar to the diagrams shown.

All of the EMG Active controls use the same 5-pin connector shown below.

Note: Reversed connector! Pins 1 and 2 are reversed. Make sure the connectors are plugged on as shown.

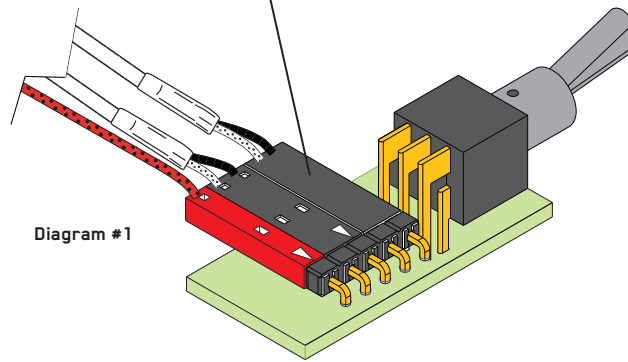


Diagram #2  
Volume / Volume / Pi2  
Master Tone (Active)

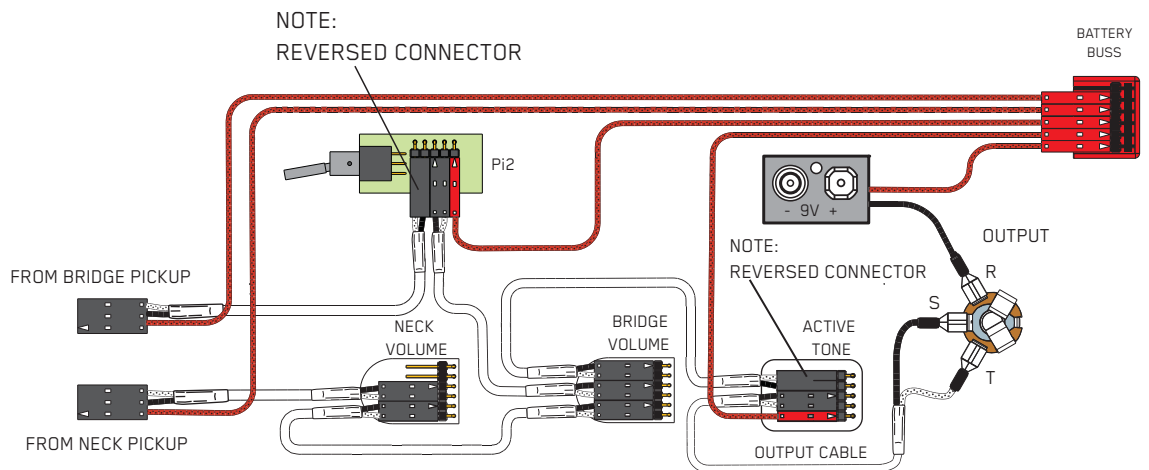
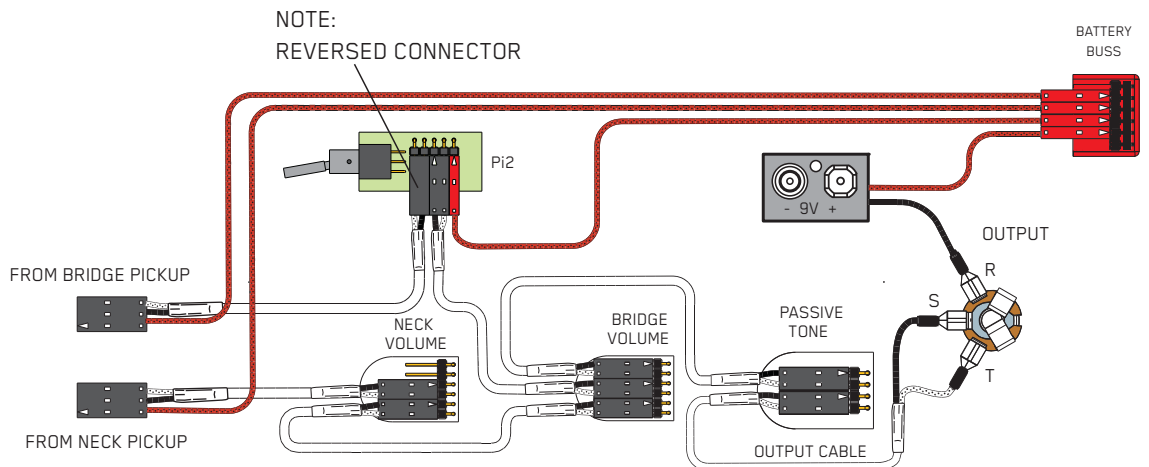


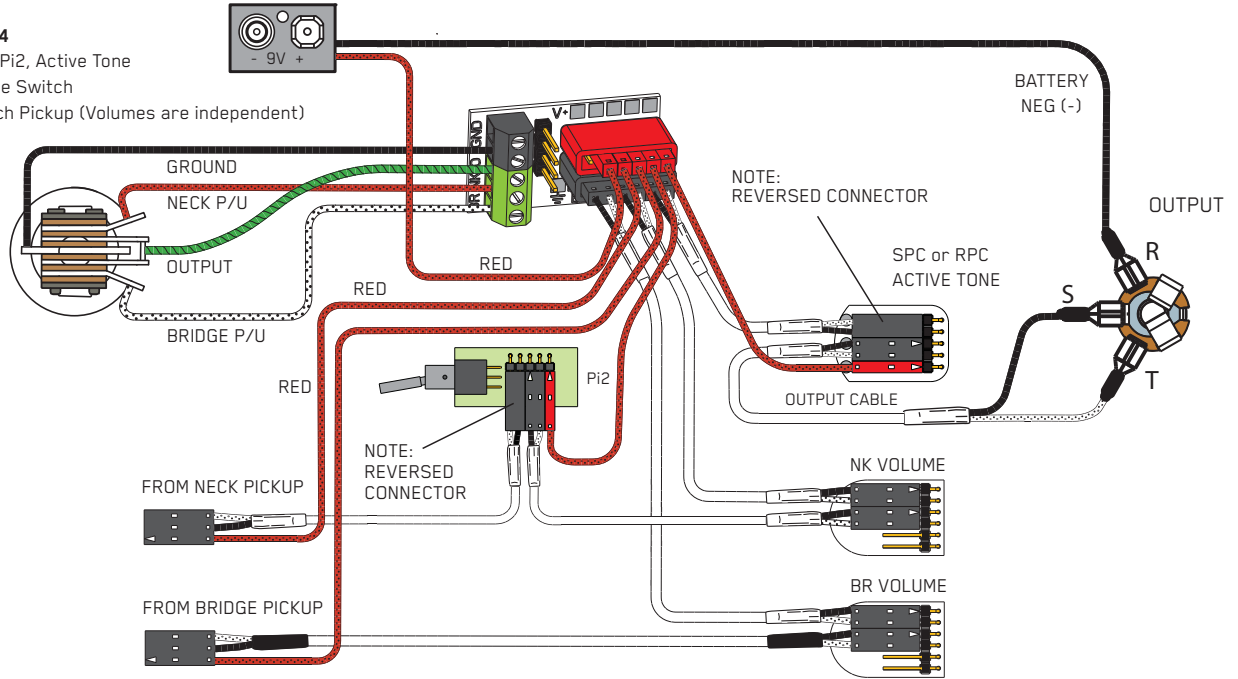
Diagram #3  
Volume / Volume / Pi2  
Master Tone (Passive)



**Installation Instructions:**  
**EMG Model: Pi2 Phase Inverter**

**Diagram #4**

2 Pickups, Pi2, Active Tone  
 Toggle Style Switch  
 Volume each Pickup (Volumes are independent)



**Diagram #5**

3 Pickups  
 Pi2 on the Middle Pickup  
 Lever Style Switch  
 Volume/ Tone/ Tone

